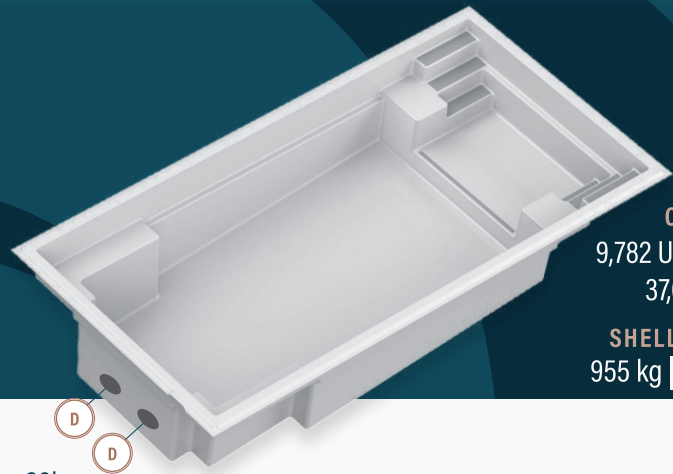


moVa

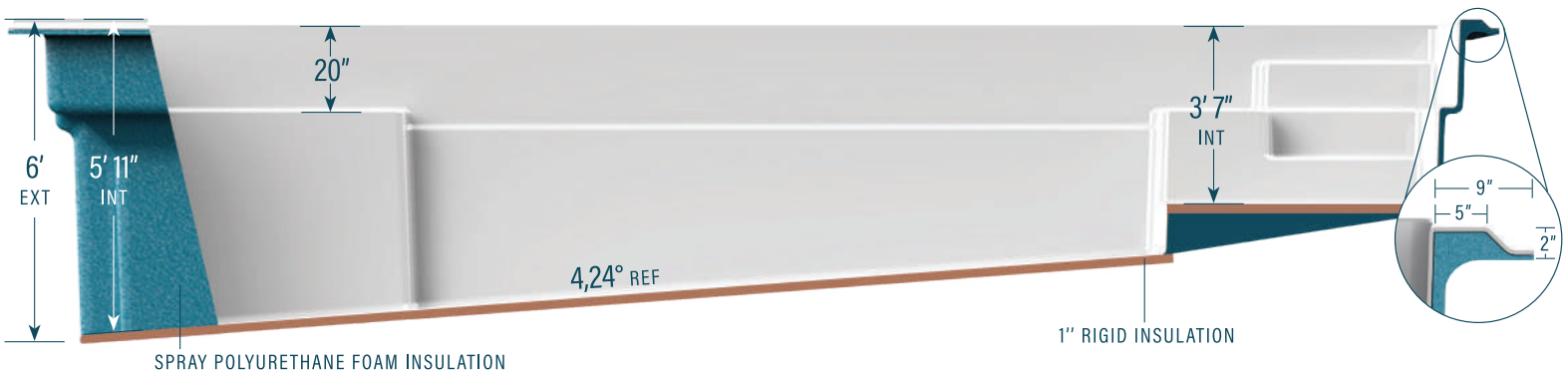
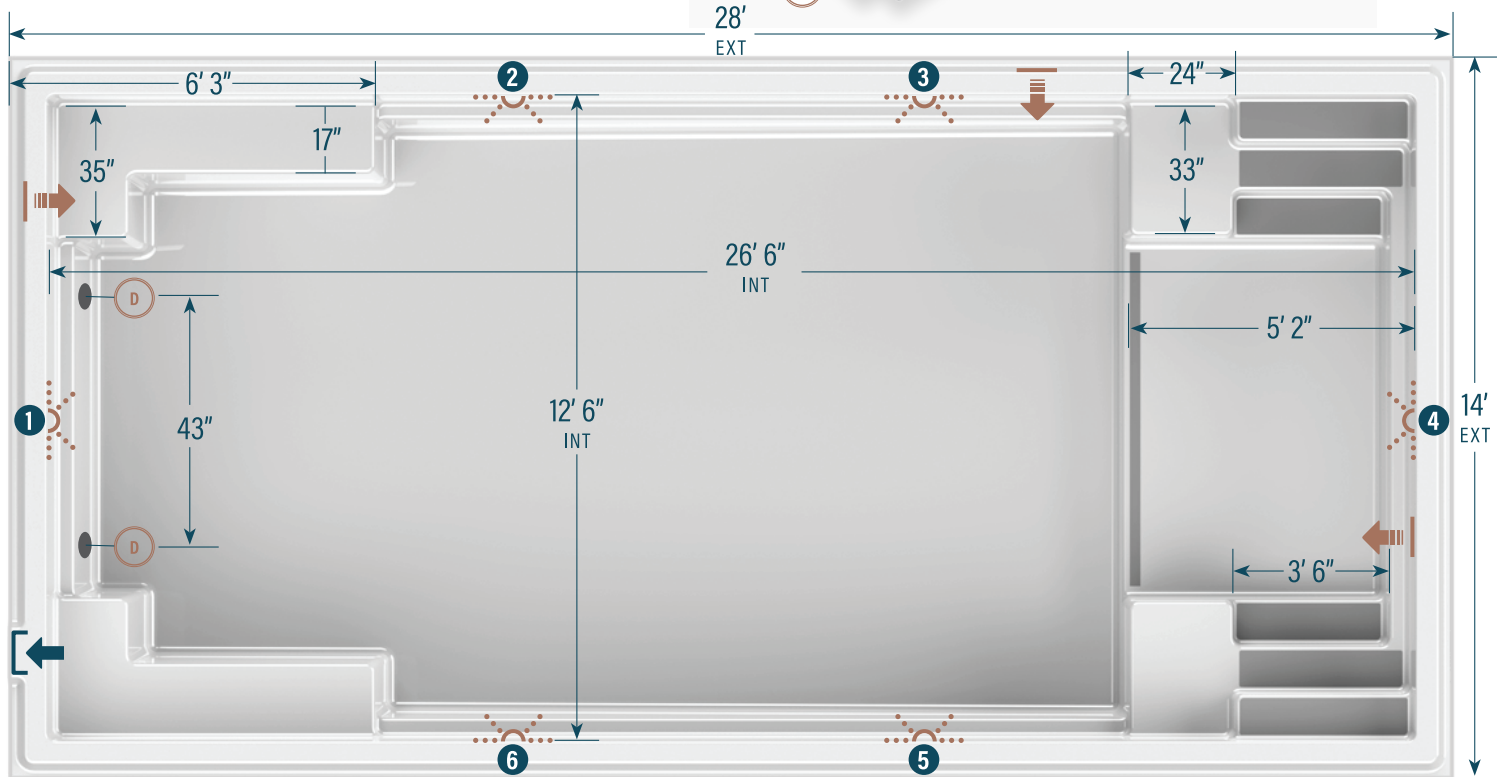
CONTEMPORARY POOLS

14' x 28' - slope



CAPACITY
9,782 US gallons
37,030 litres

SHELL WEIGHT
955 kg | 2,100 lbs



LEGEND

| | | | | | | | |
|-------------|-----------------------|------------------|-----------|-------------|------------|--------------|---------------|
| SKIMMER →] | SIDE BOTTOM DRAIN (D) | WATER RETURN ←] | LED LIGHT | WISPY GREY | RIVER CLAY | MOONSTONE | PARADISE SAND |
| | | | | CLOUD WHITE | STONE GREY | MIDNIGHT SKY | DEEP SEA BLUE |

LED LIGHT OPTION
(Circle the desired LED lights)

1 2 3 4 5



The information in this document is provided for informational purposes only. Consult an authorized dealer and the Mova Pools installation guide for product specifications and installation instructions before purchasing a pool. An installation that does not conform to the instructions may void your warranty.

*Not a resident of Quebec or the Ottawa area? This model is available at a retailer near you.

MOVAPOLS.COM