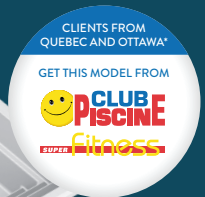


moval

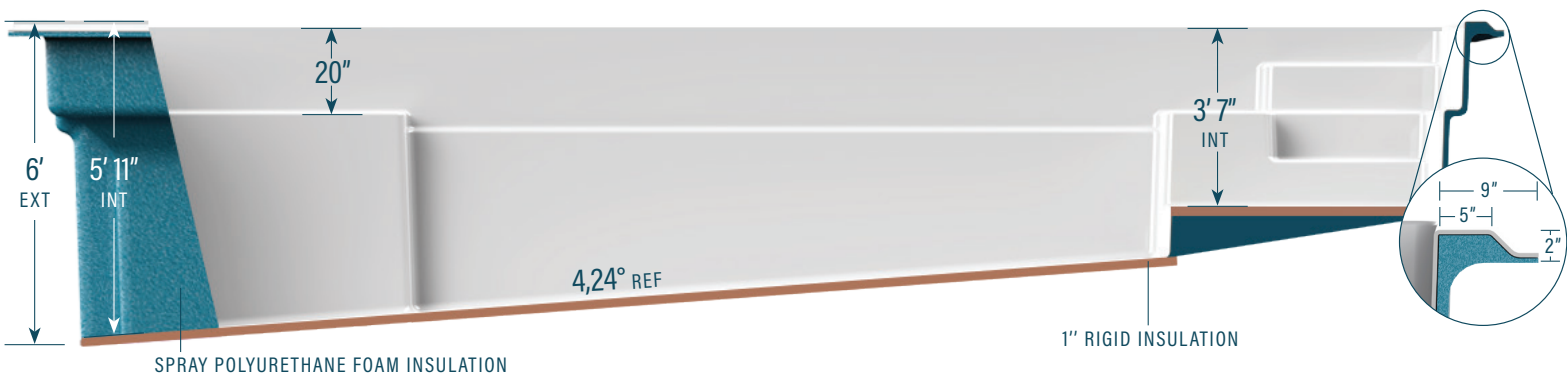
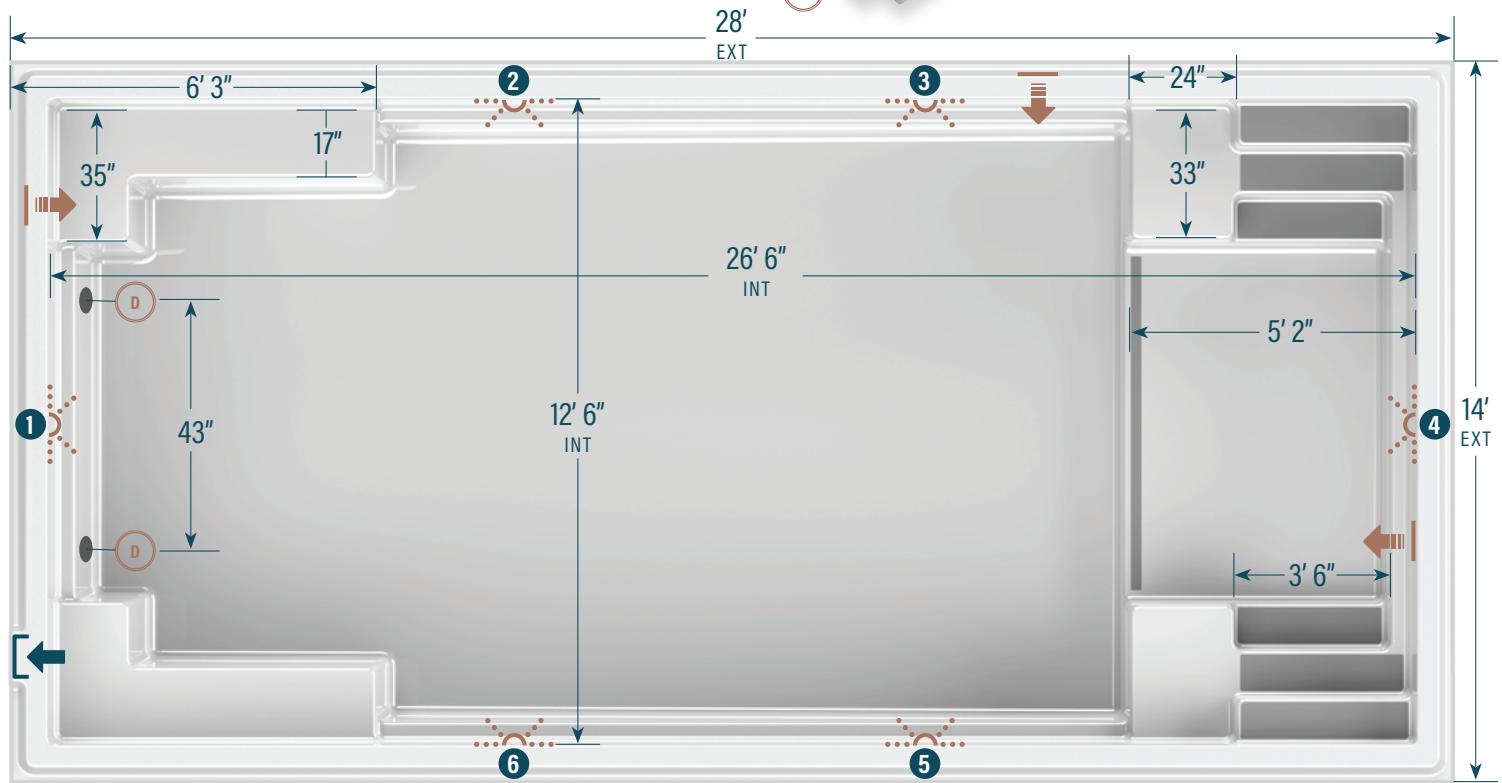
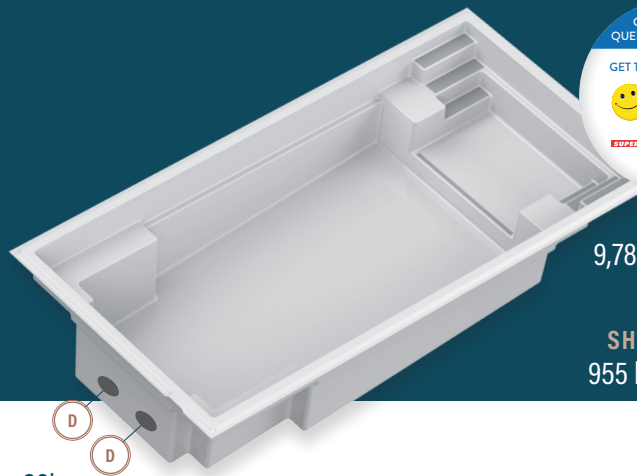
CONTEMPORARY POOLS

14' x 28'-CP



CAPACITY
 9,782 US gallons
 37,030 litres

SHELL WEIGHT
 955 kg | 2,100 lbs



LEGEND

SKIMMER →]	SIDE BOTTOM DRAIN (D)	WATER RETURN ←]]	LED LIGHT (dotted circle)	COLORS WILD WOLF (grey) SEA FOAM (white)
-------------	-----------------------	-------------------	---------------------------	--

LED LIGHT OPTION
 (Circle the desired LED lights)

1 2 3 4 5 6



The information in this document is provided for informational purposes only. Consult an authorized dealer and the Mova Pools installation guide for product specifications and installation instructions before purchasing a pool. An installation that does not conform to the instructions may void your warranty.

*Not a resident of Quebec or the Ottawa area? This model is available at a retailer near you.

MOVAPOLS.COM